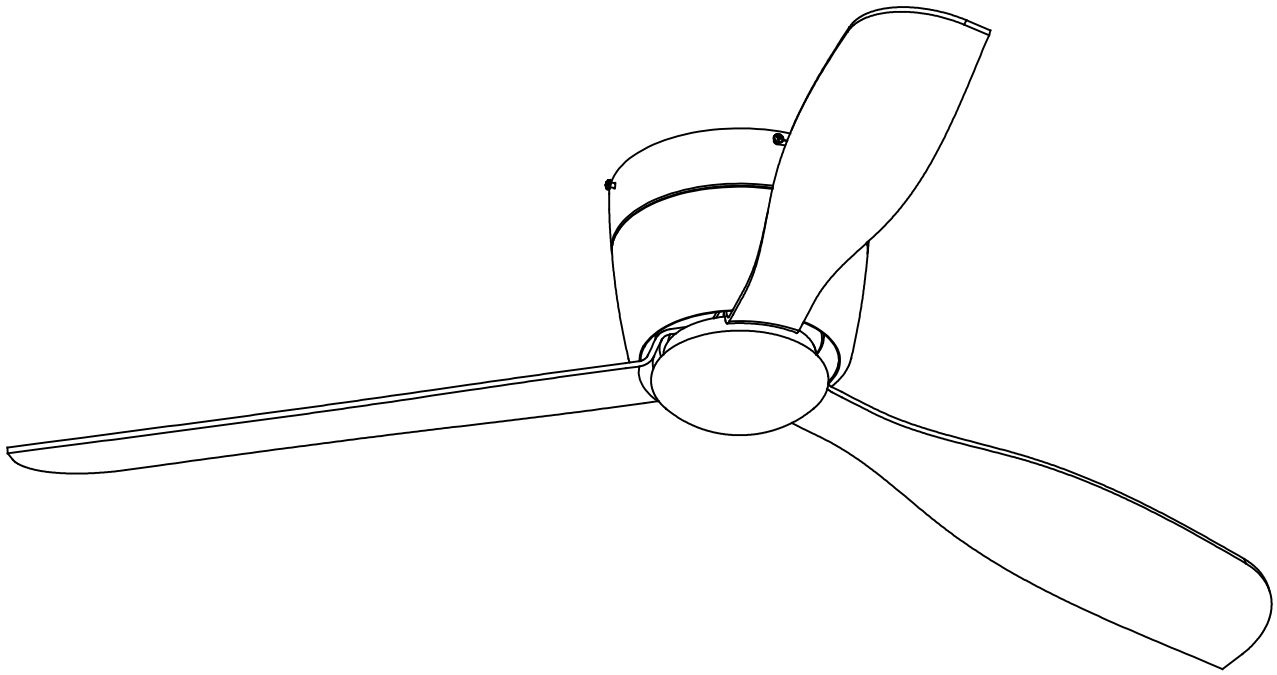
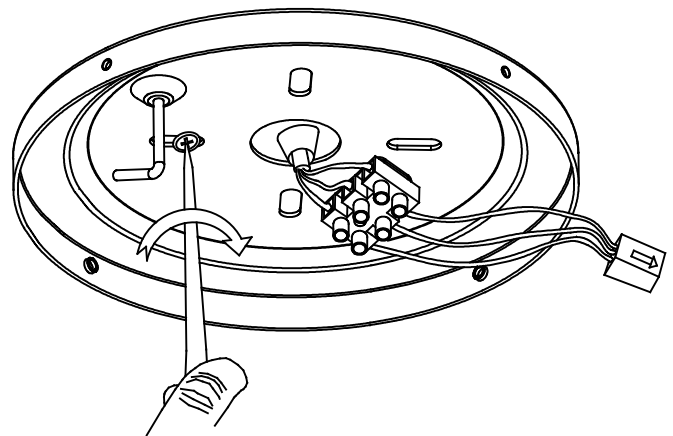
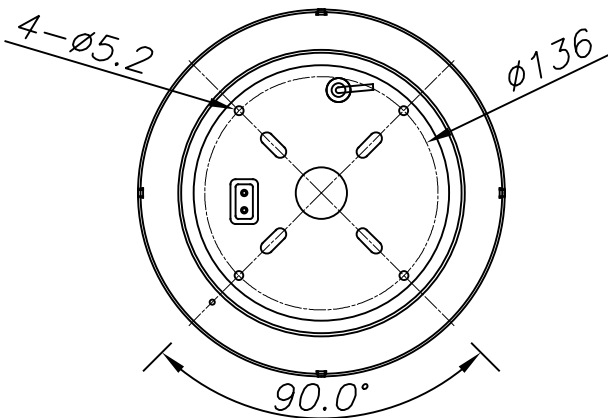
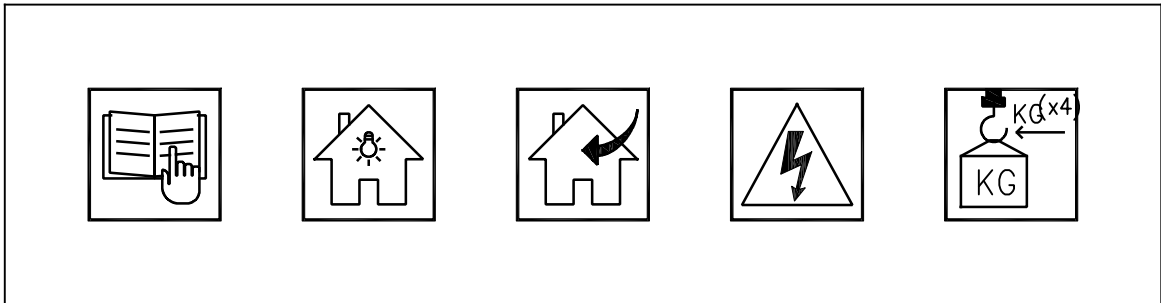
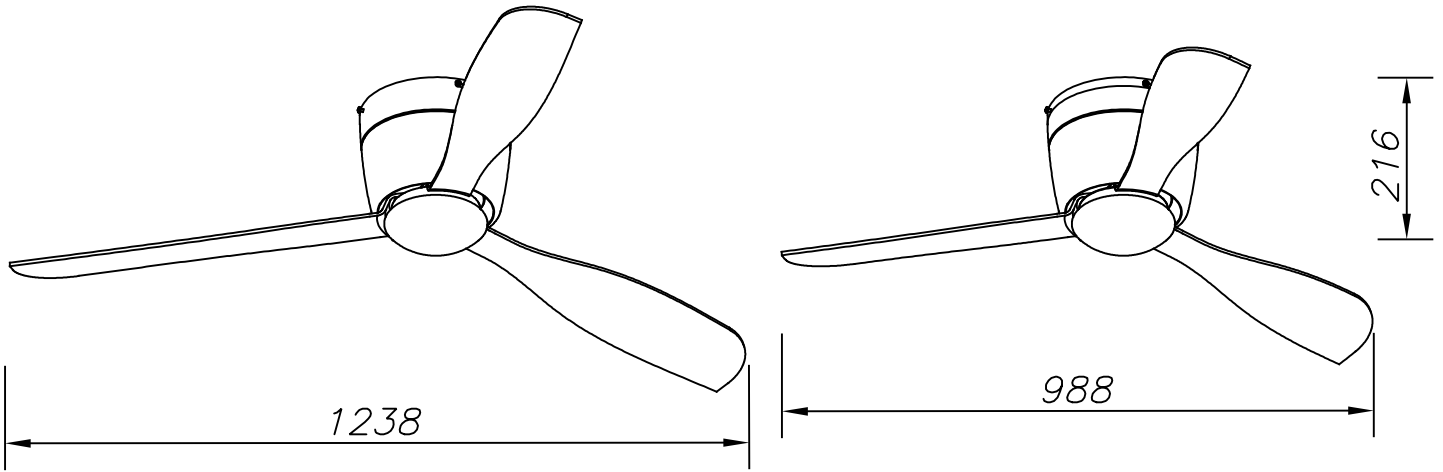


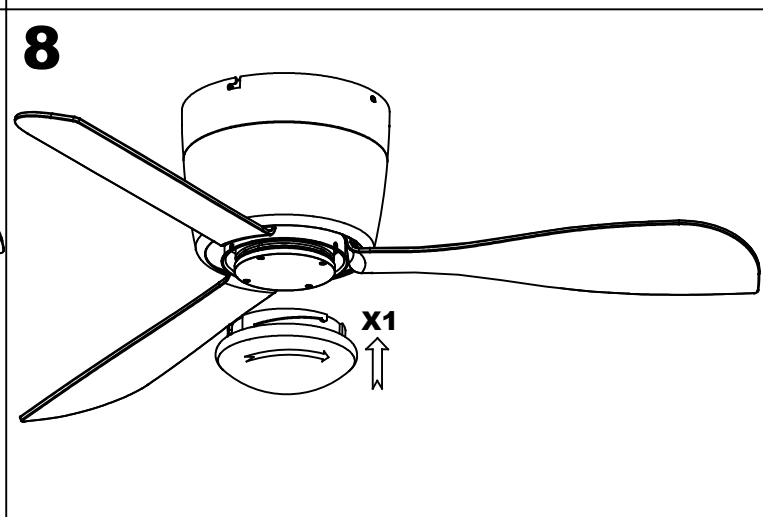
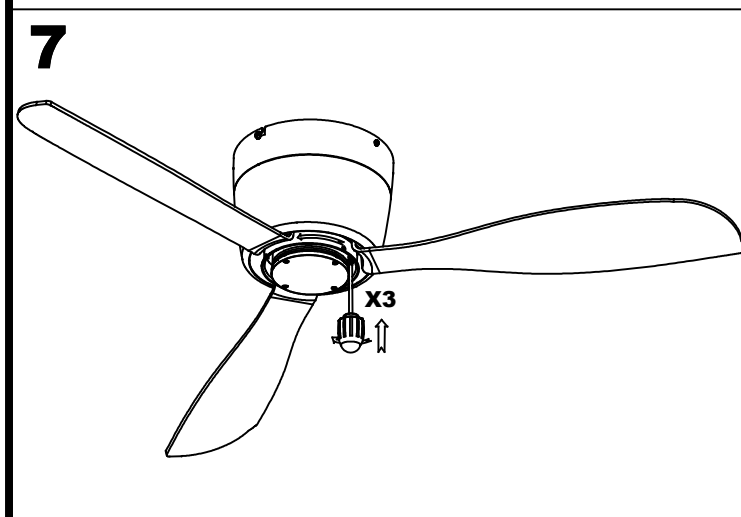
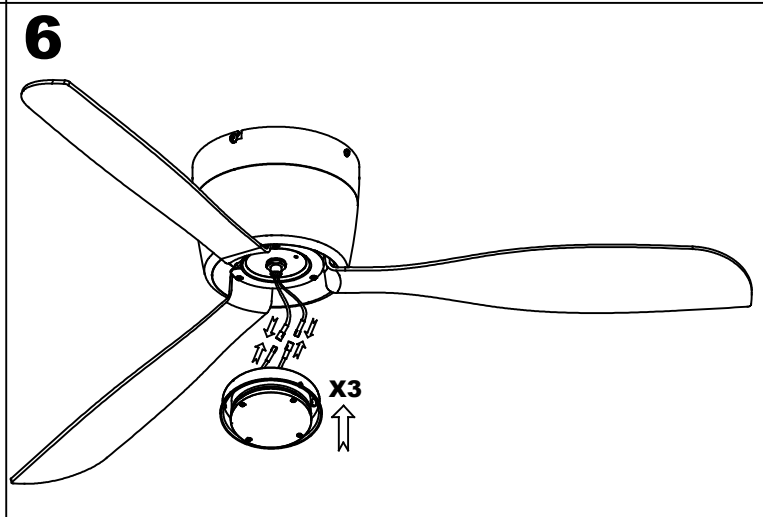
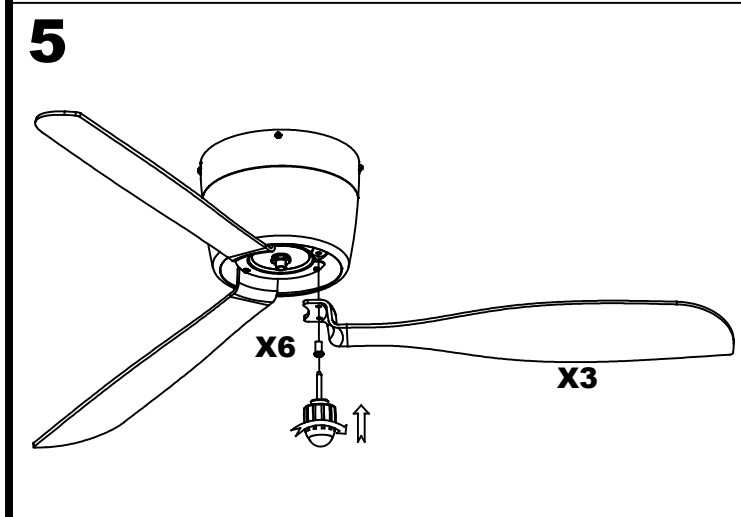
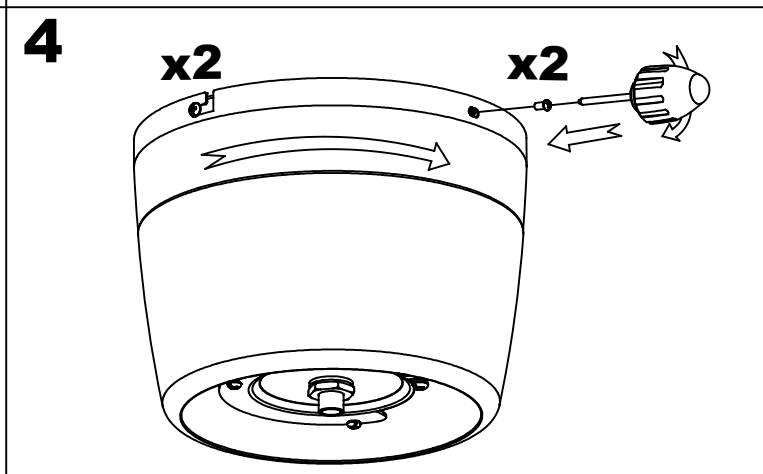
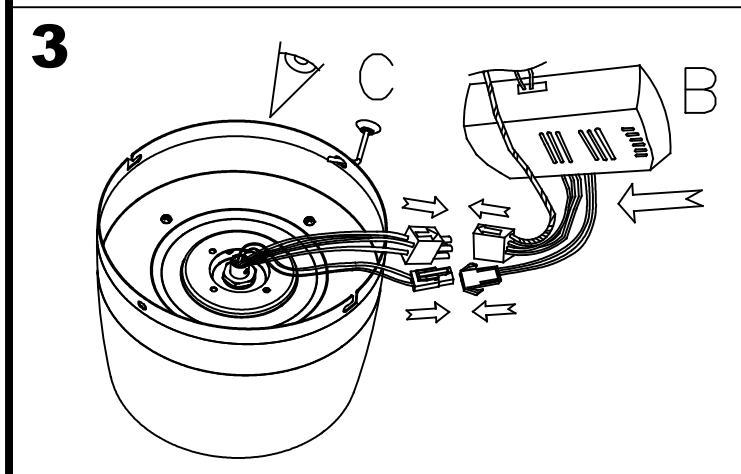
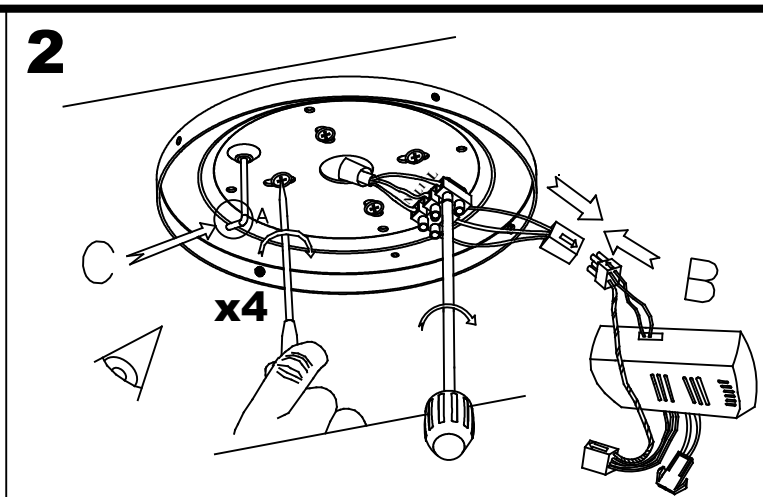
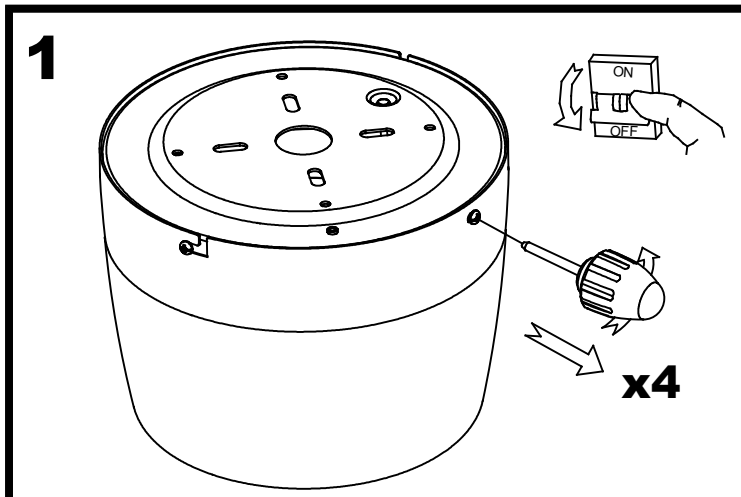
# LEDS C4<sup>▪</sup>

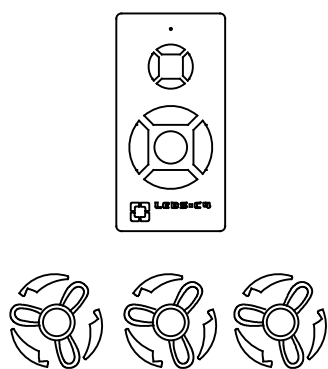
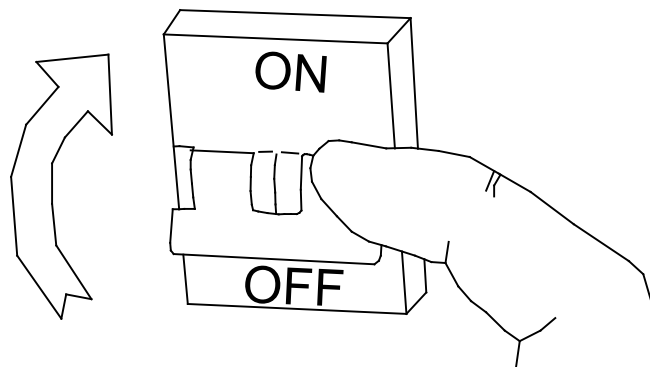
## **BORA/30-7972;7973**



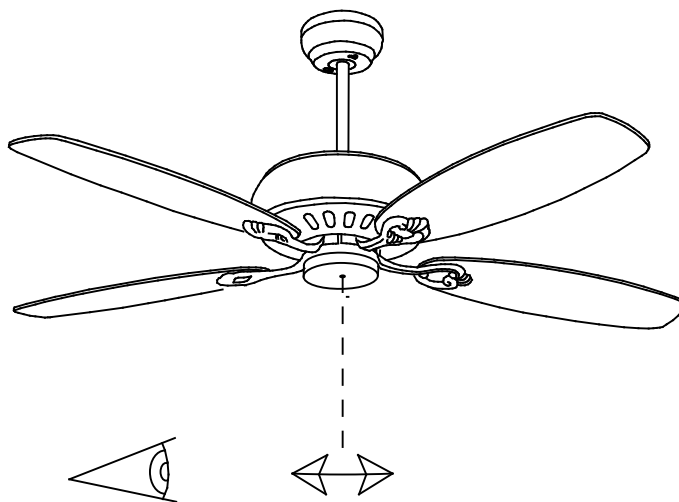


# LEDS C4

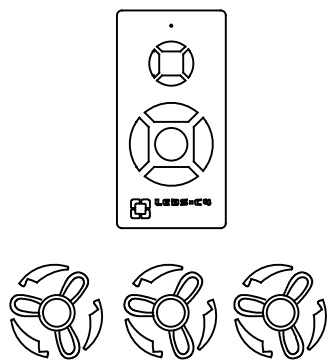




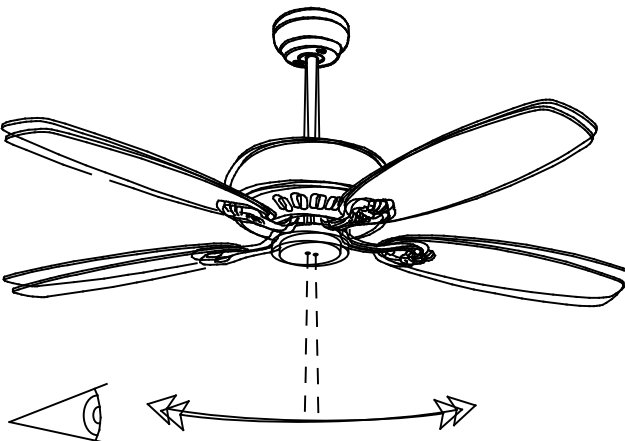
**ON**



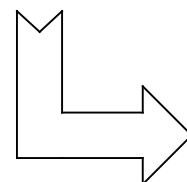
≡ **OK**



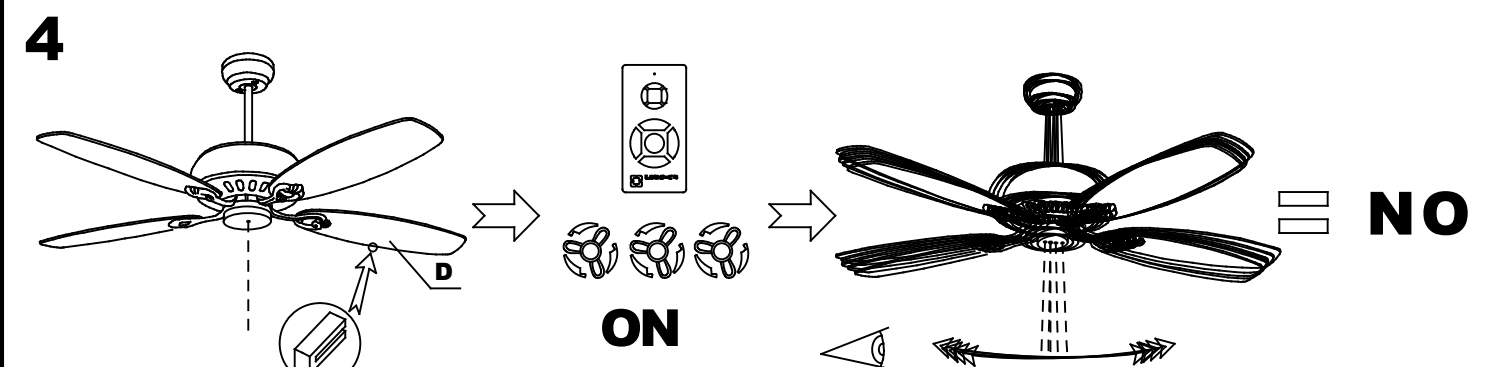
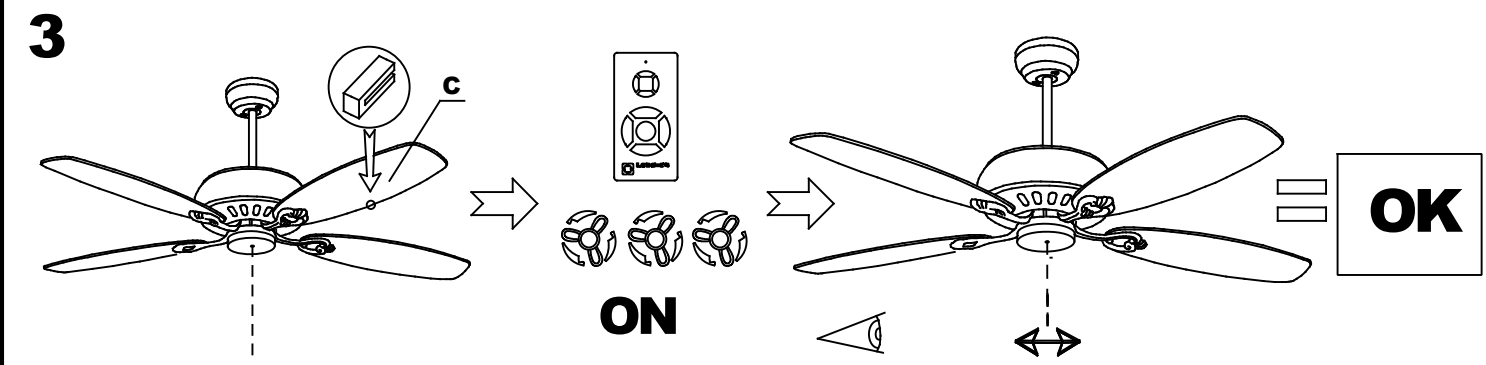
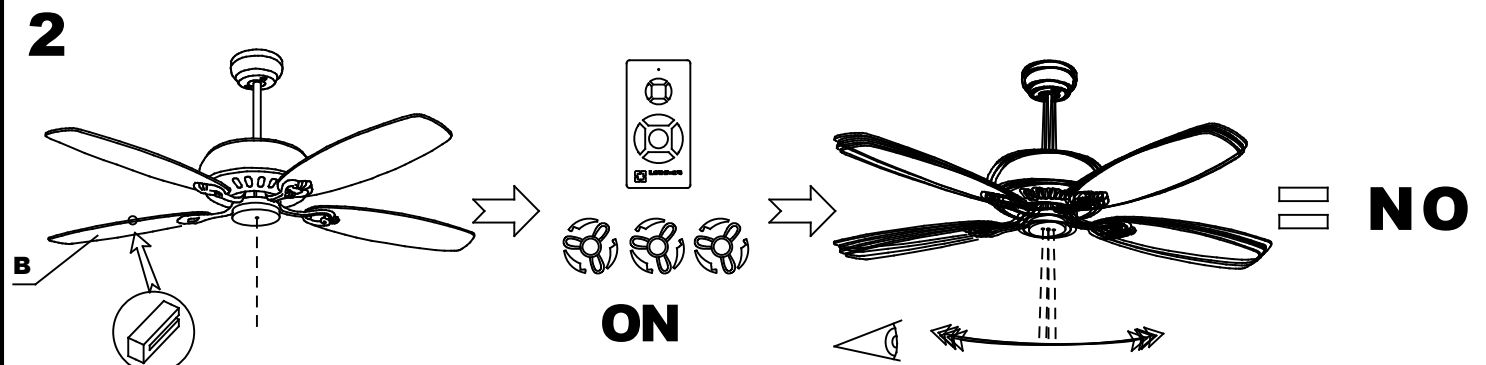
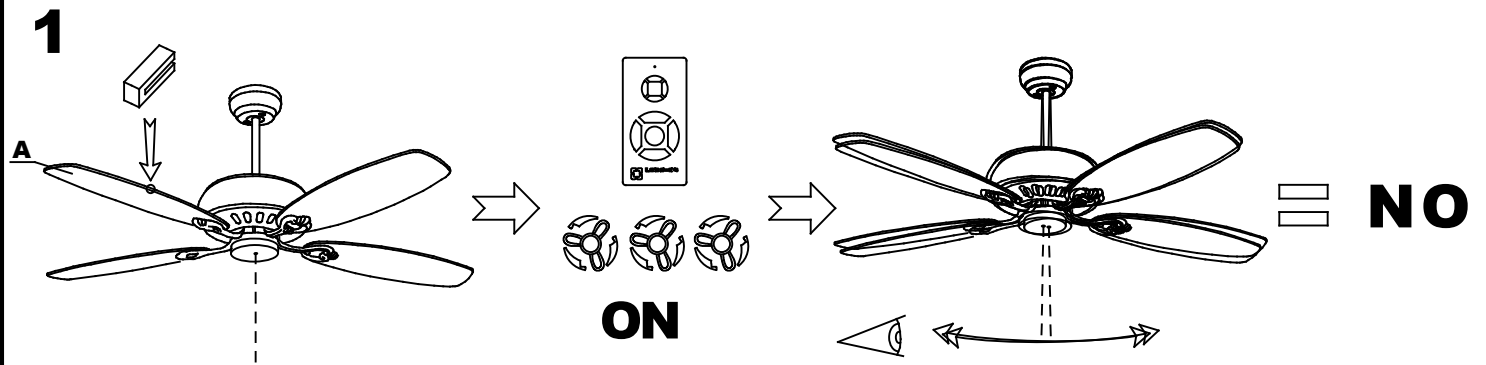
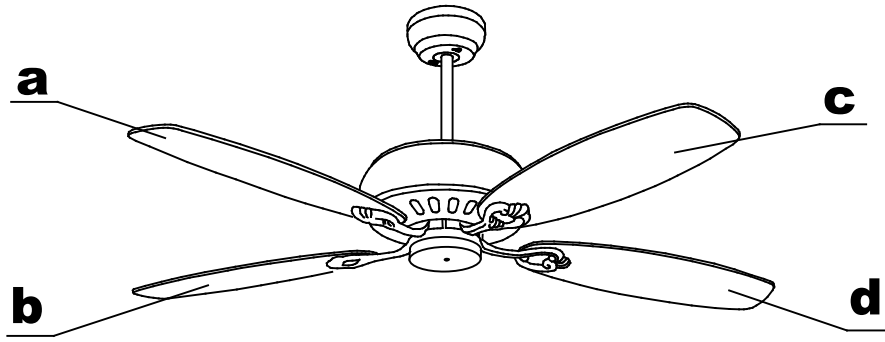
**ON**



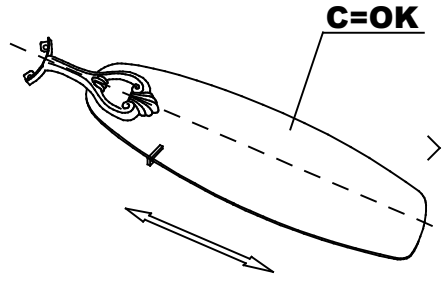
≡ **NO**



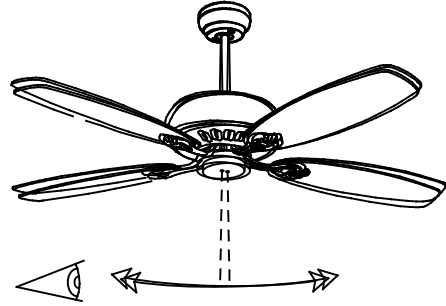
# LEDS C4



5

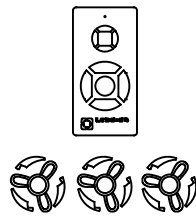
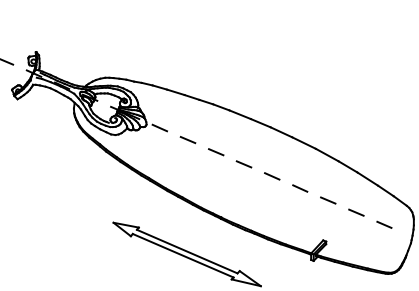


ON

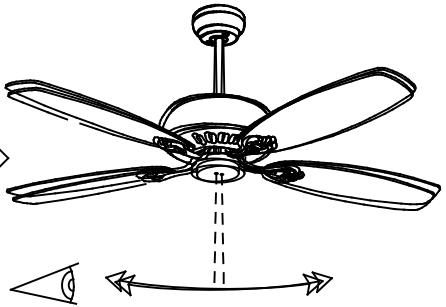


NO

6

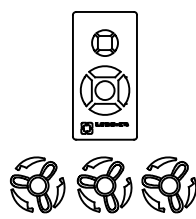
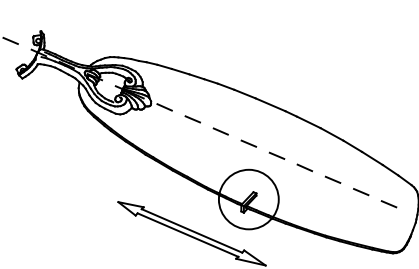


ON

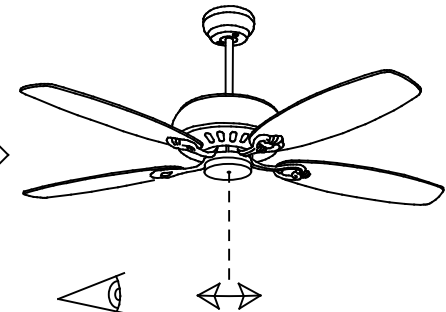


NO

7



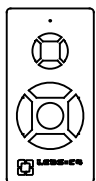
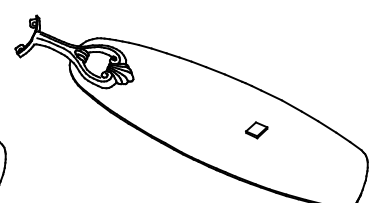
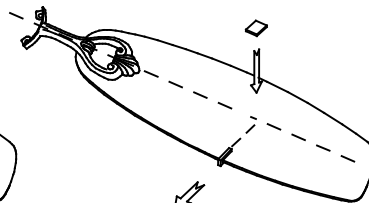
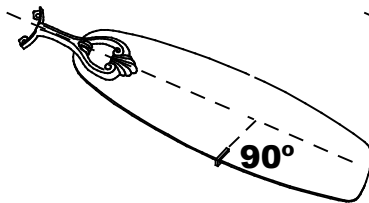
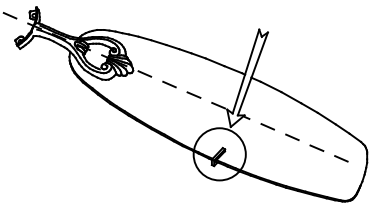
ON



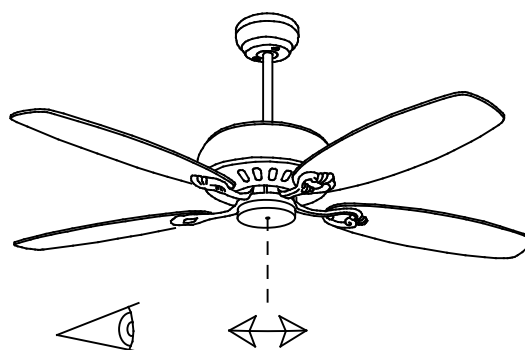
OK

8

OK



ON



OK