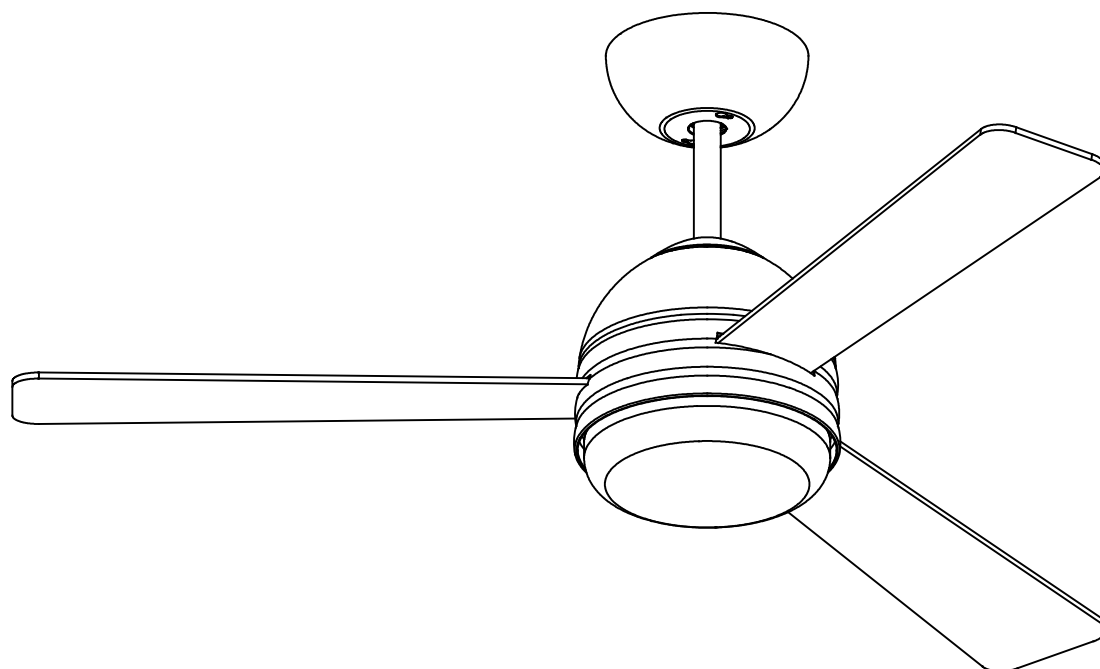


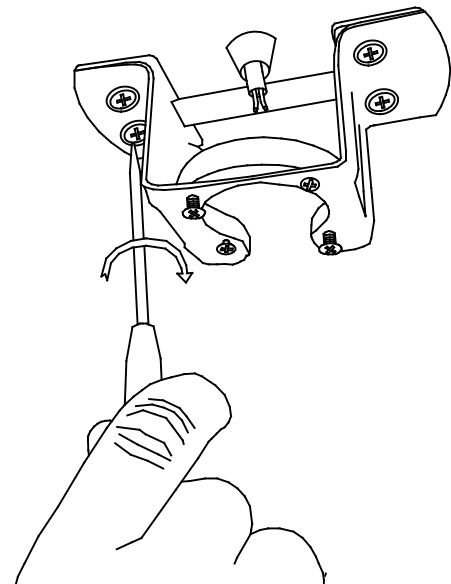
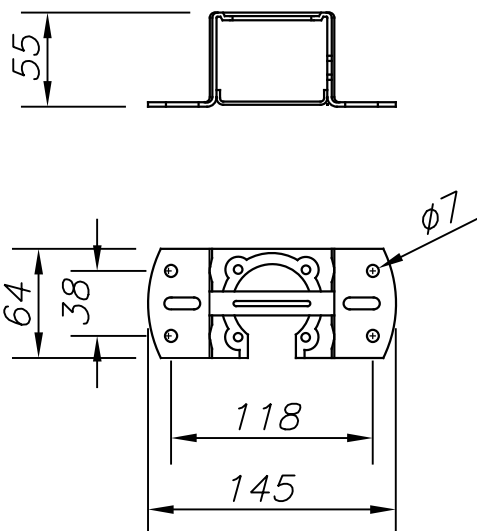
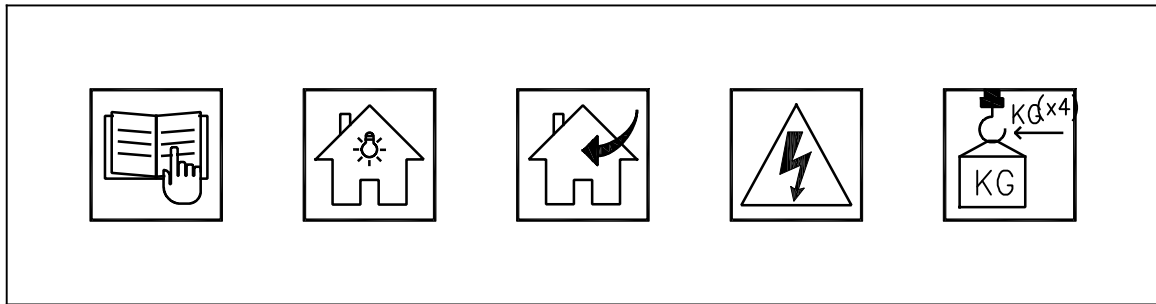
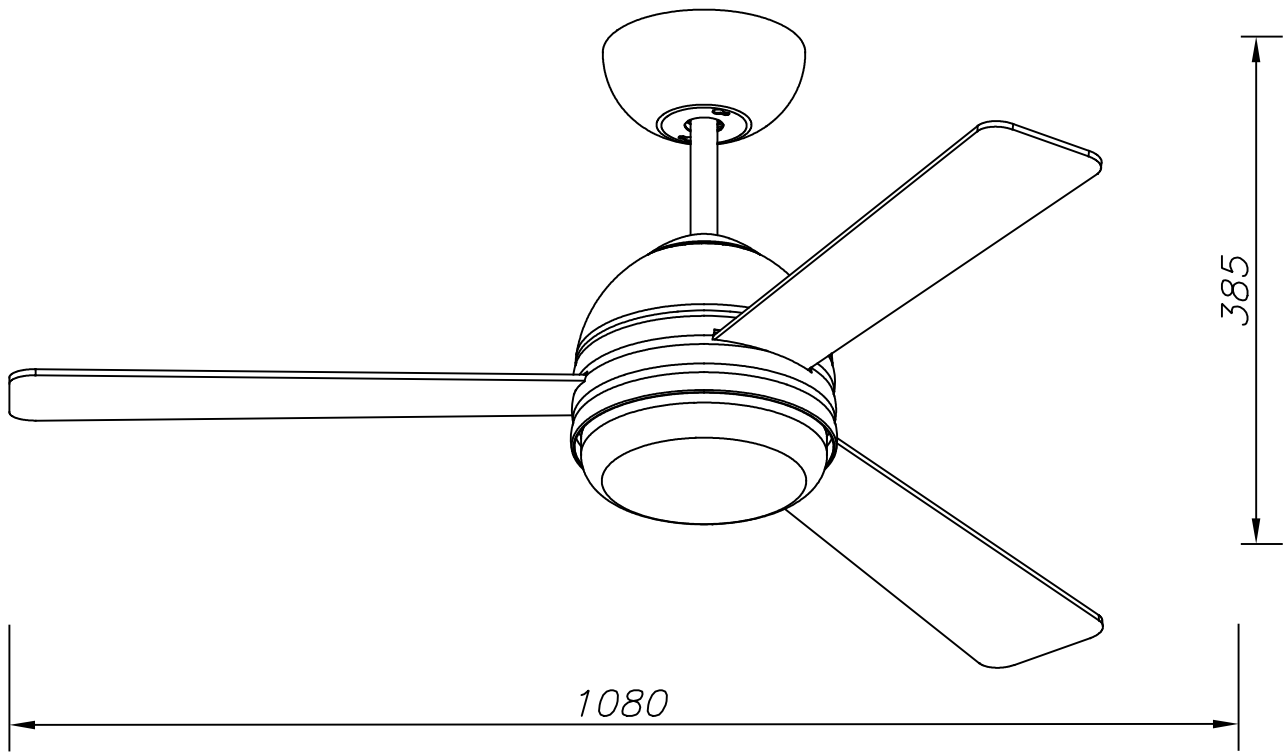
LEDS C4[▪]

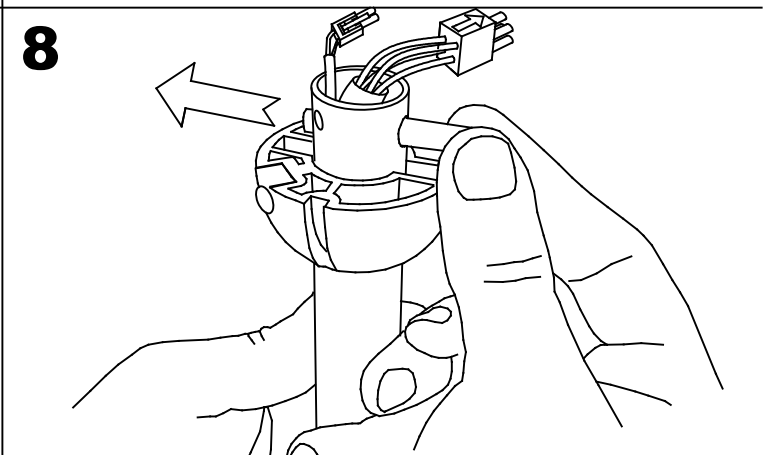
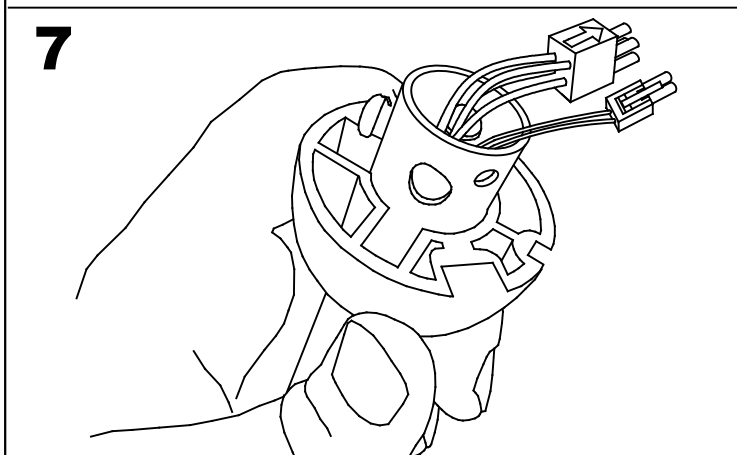
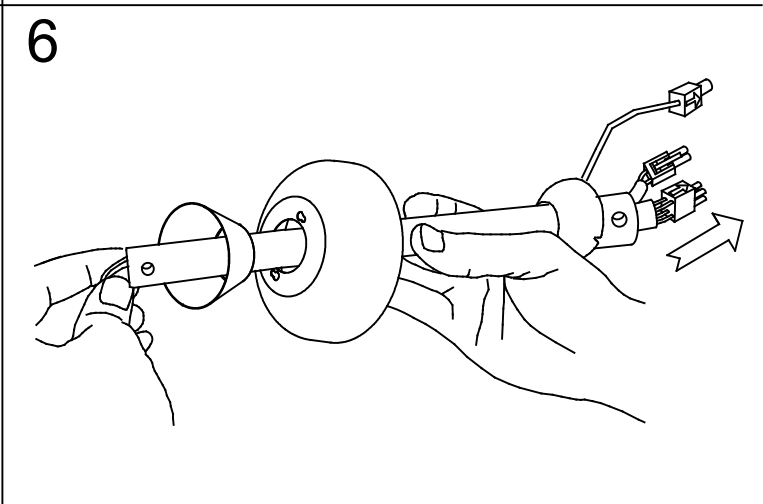
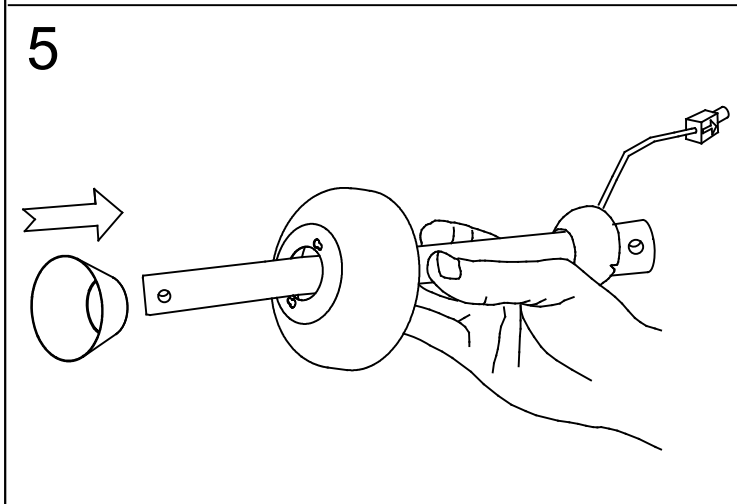
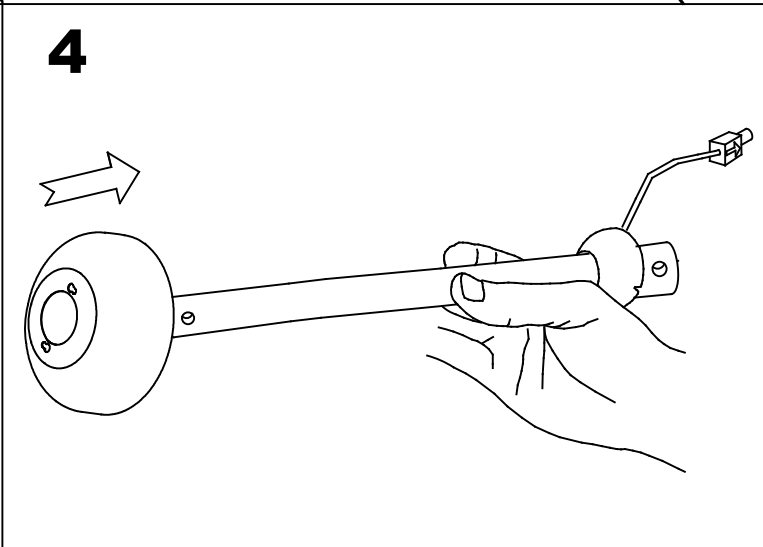
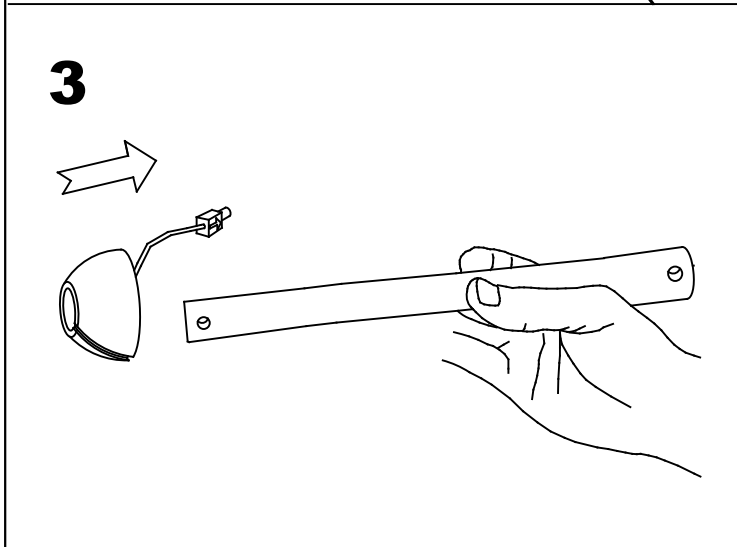
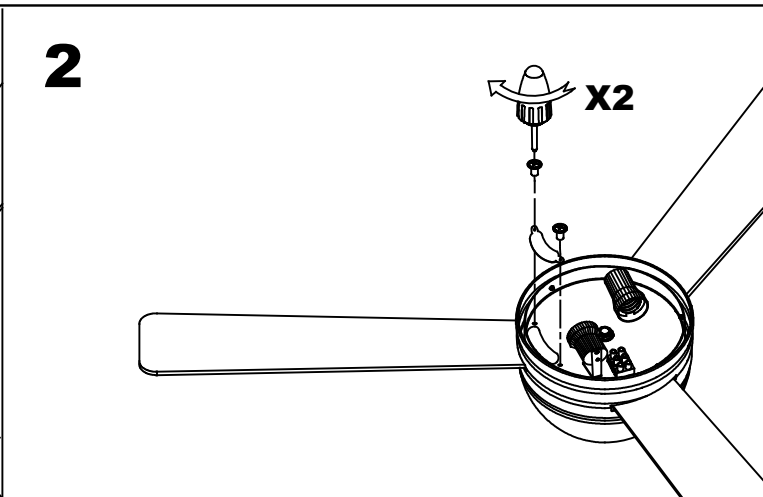
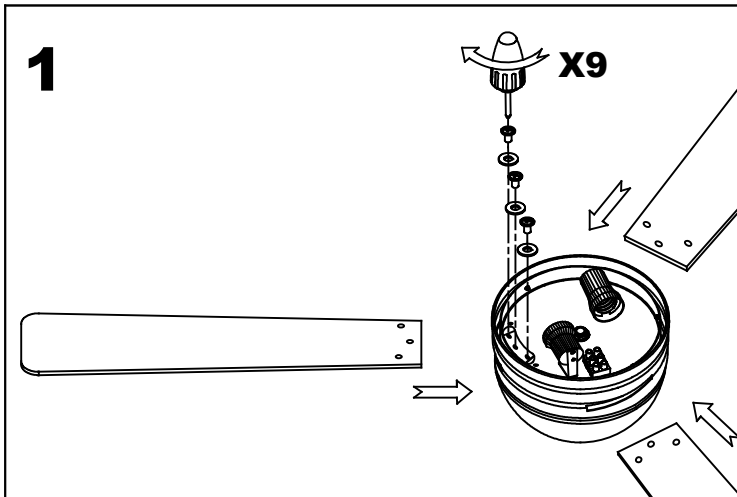
KAI/30-7999



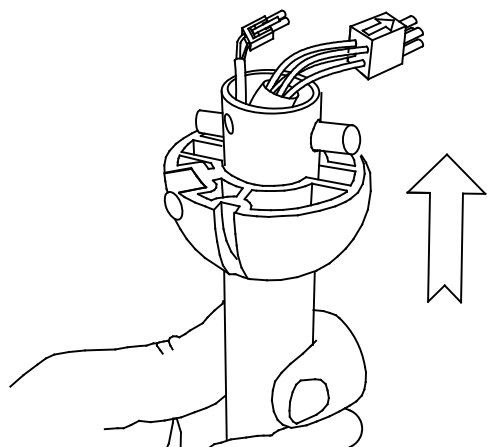
LEDS C4²

1/8

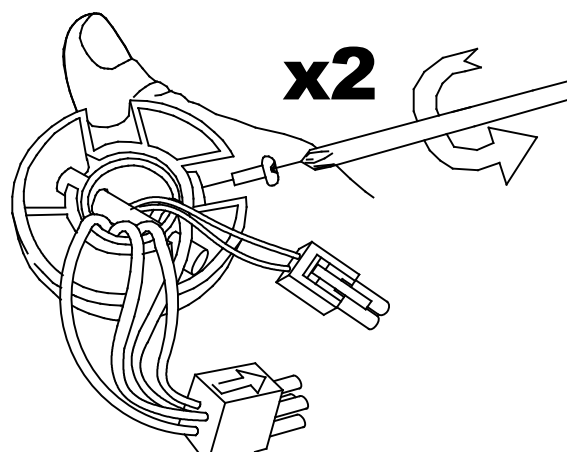




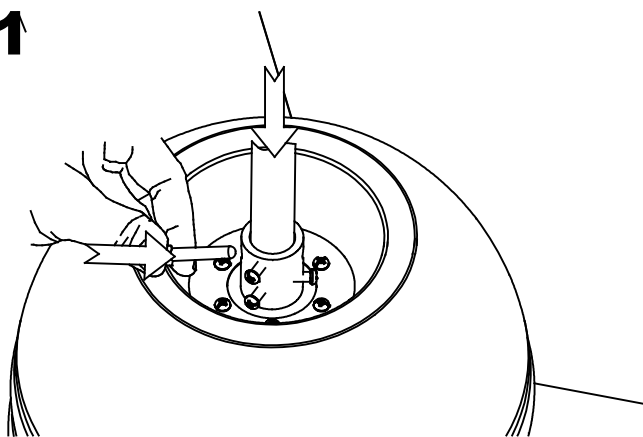
9



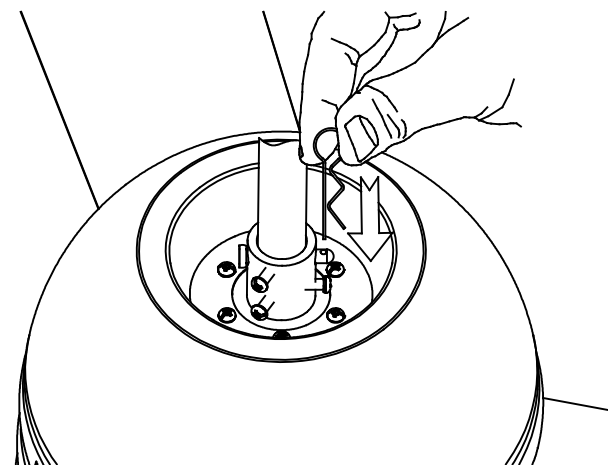
10



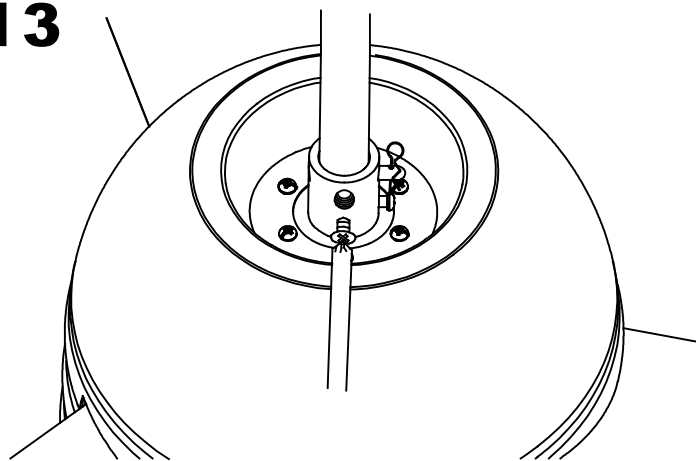
11



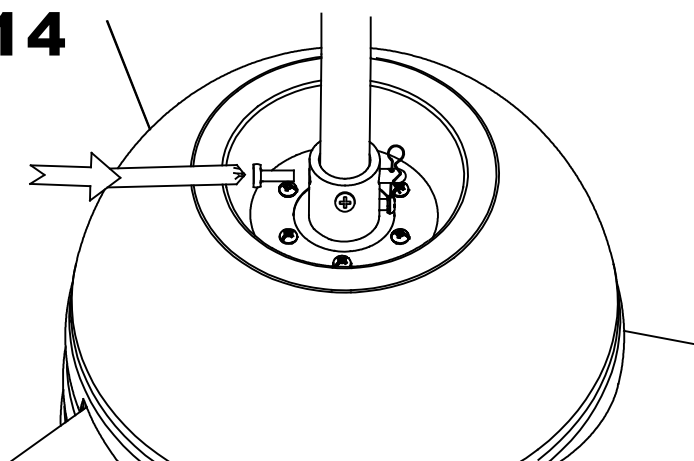
12



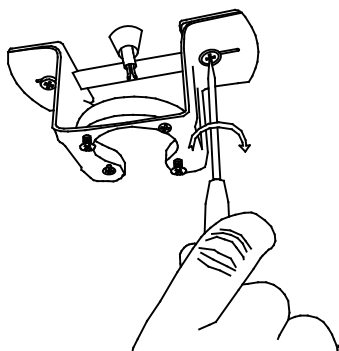
13



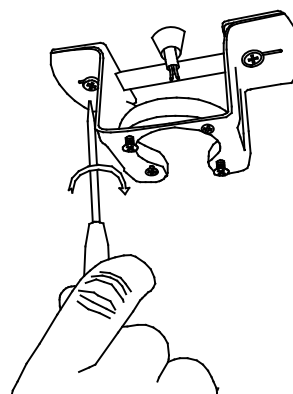
14



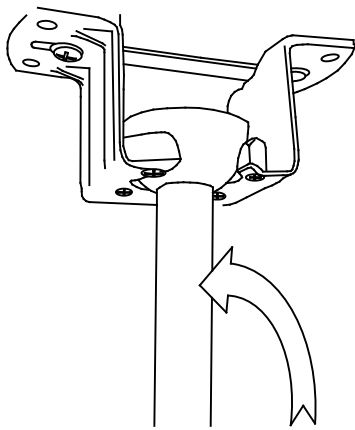
15



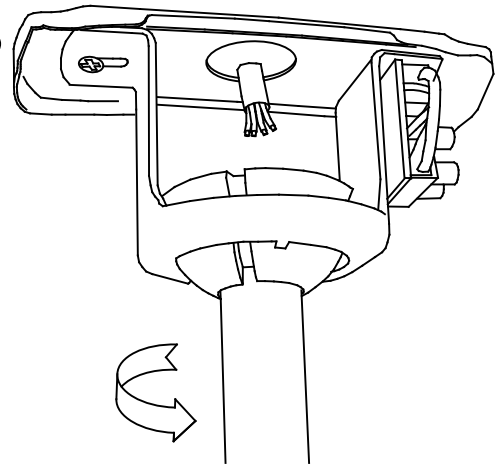
16



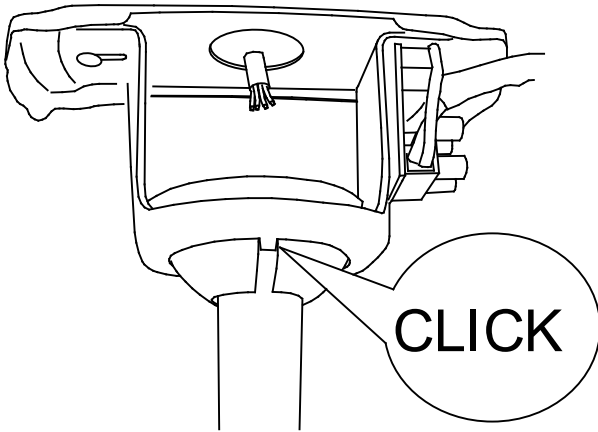
17



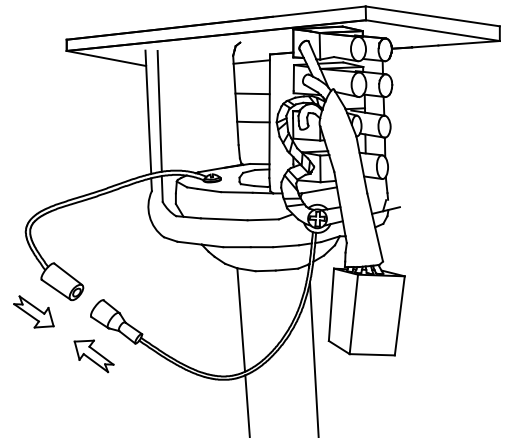
18



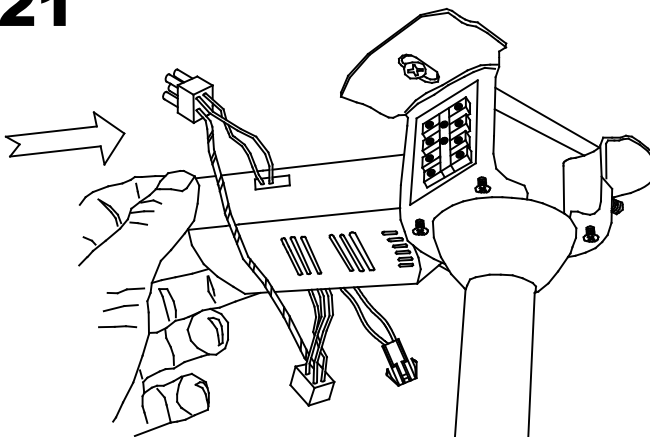
19



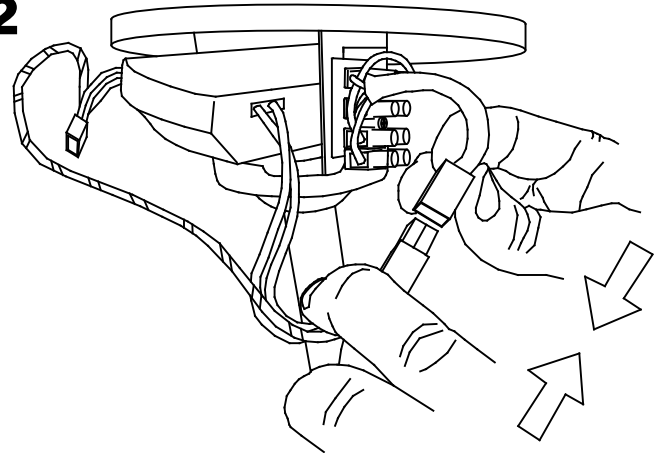
20



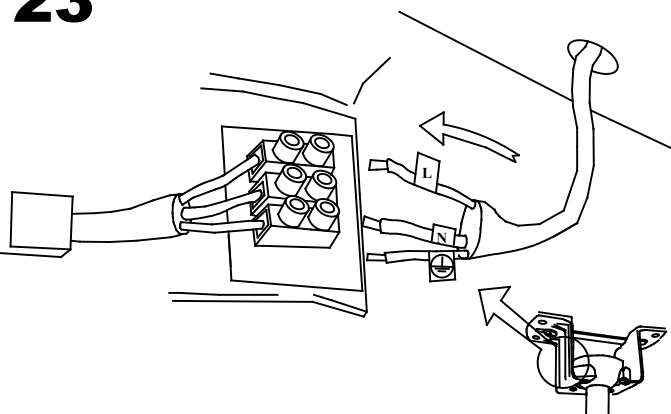
21



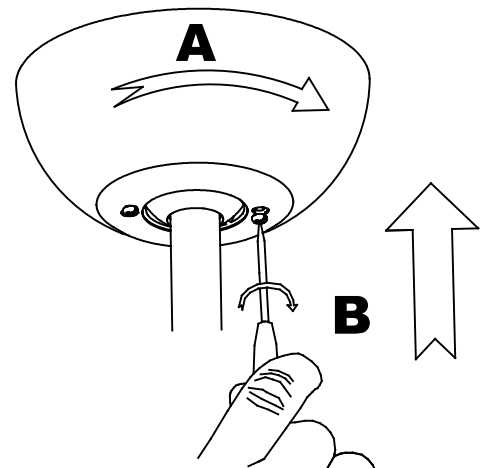
22



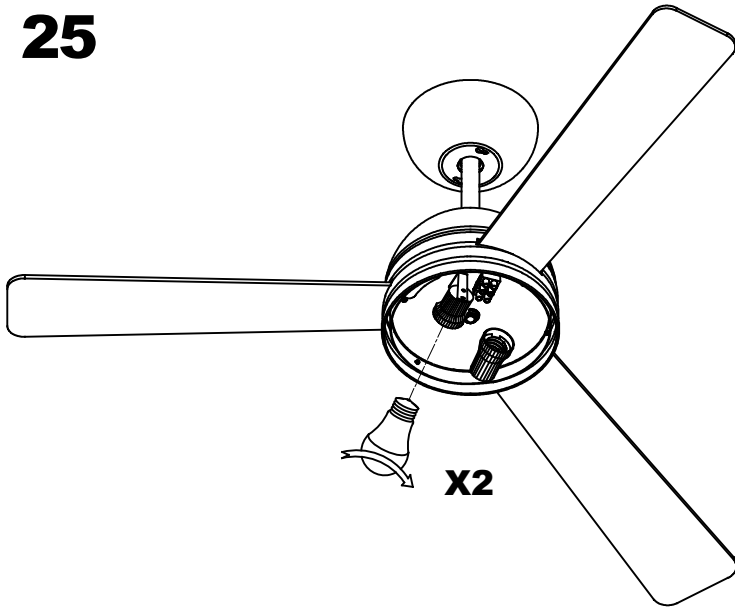
23



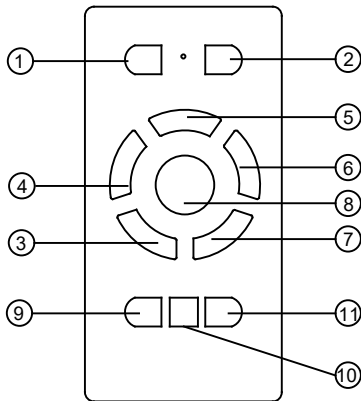
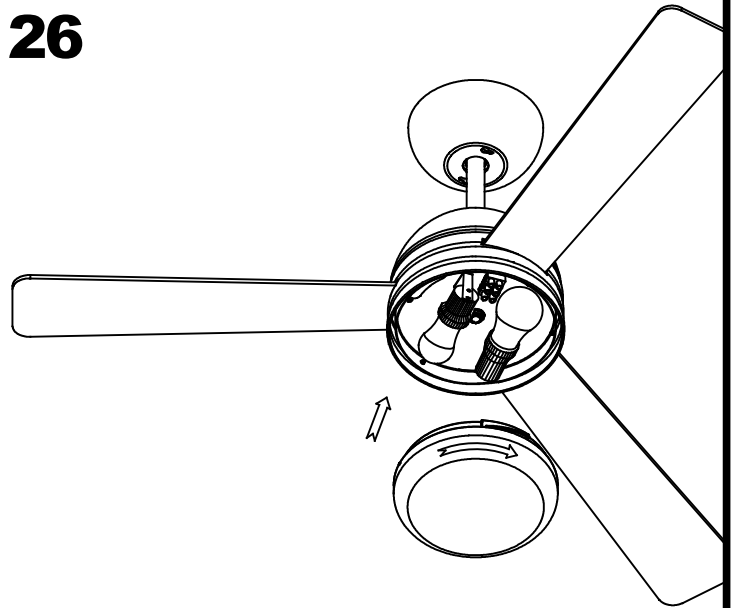
24



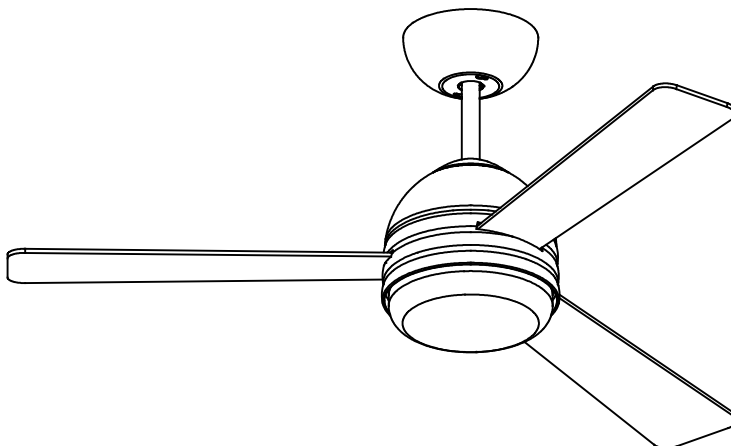
25

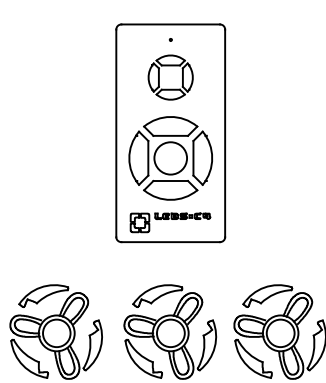
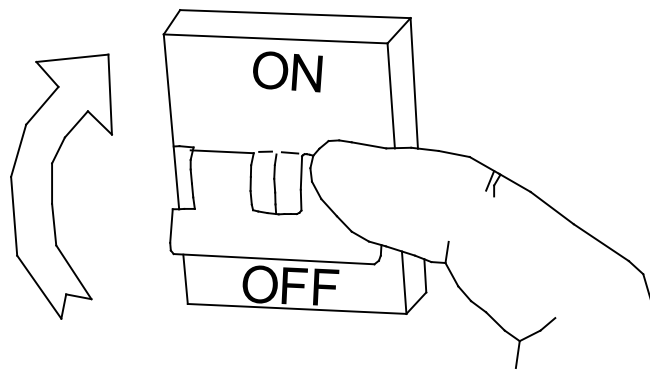


26

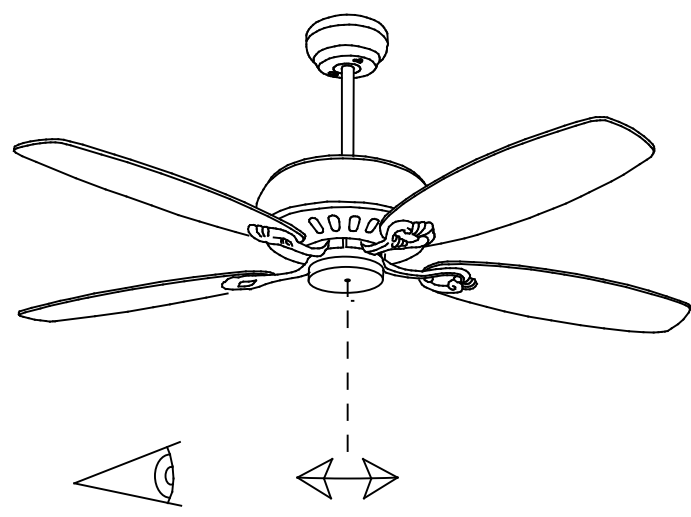


①	Fan on/off
②	
③	
④	
⑤	
⑥	
⑦	
⑧	
⑨	
⑩	
⑪	

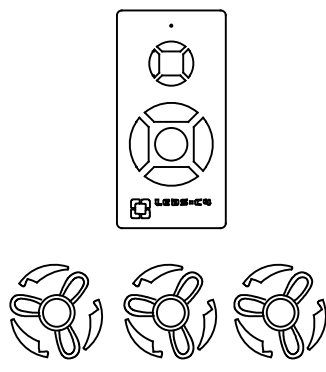




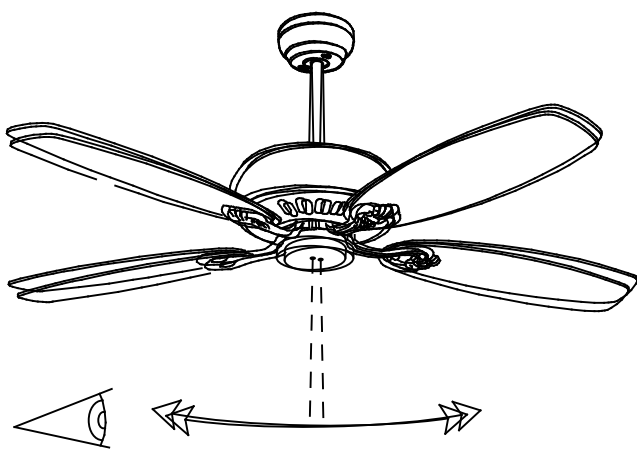
ON



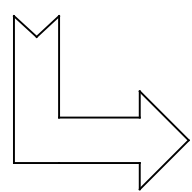
≡ **OK**



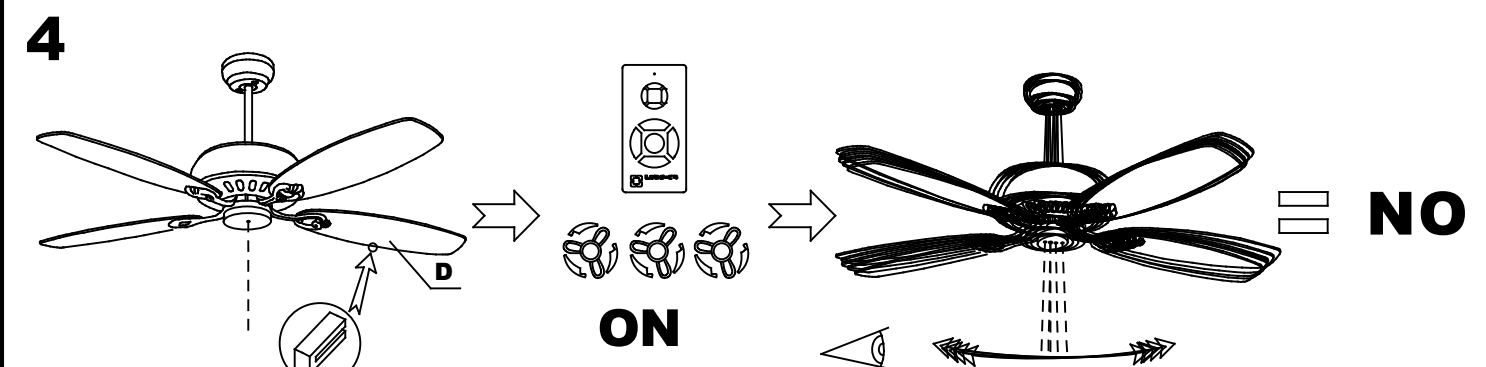
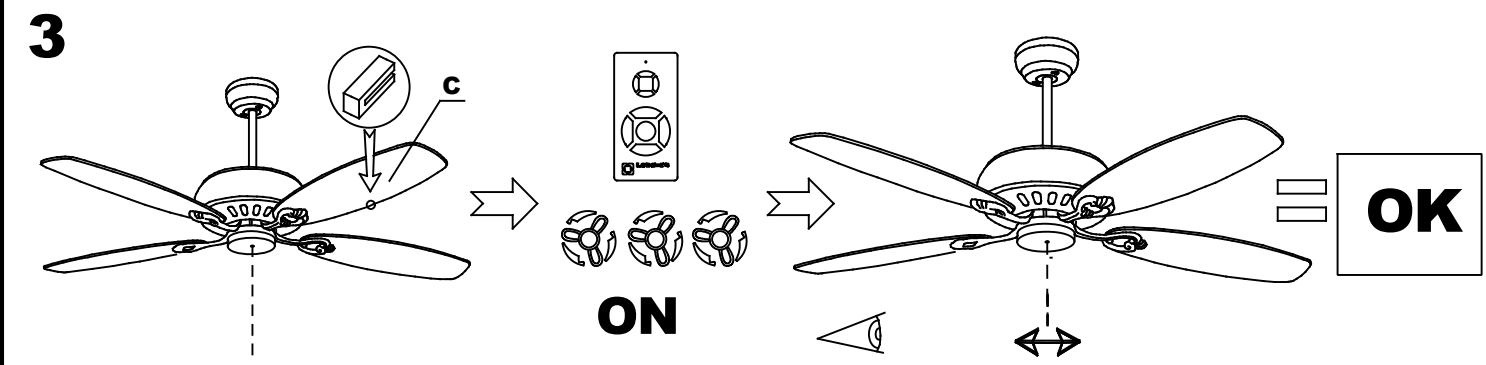
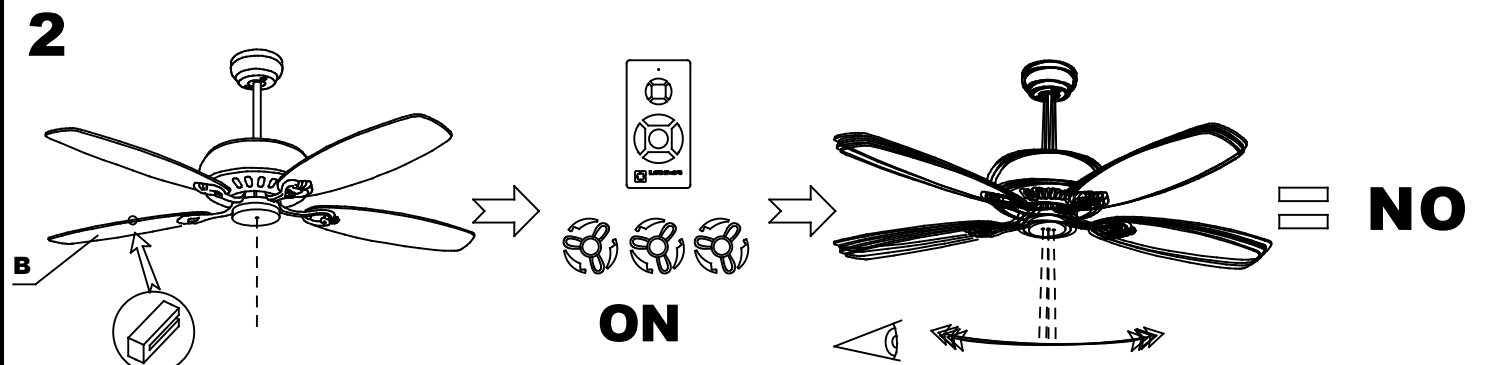
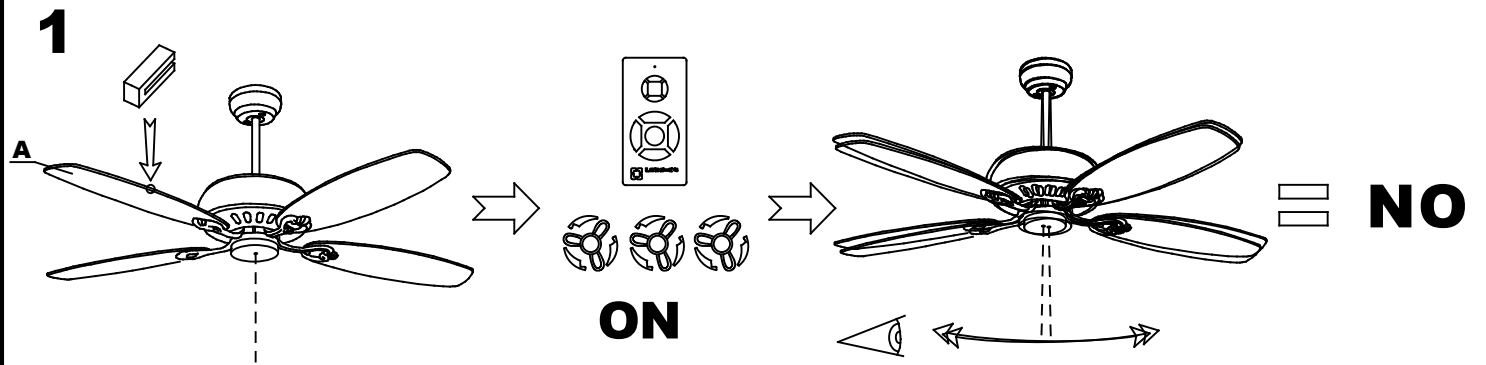
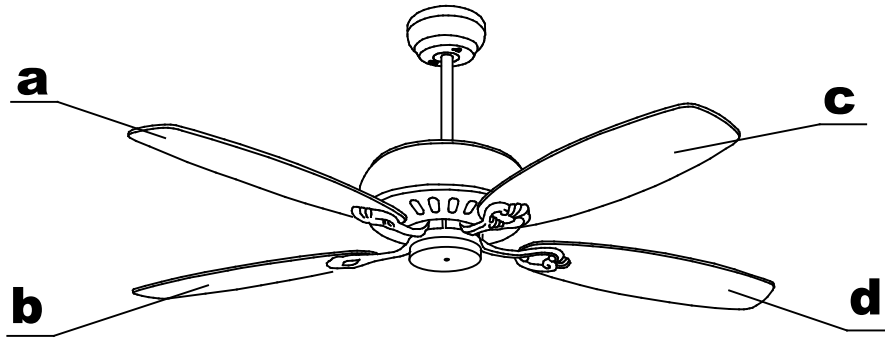
ON



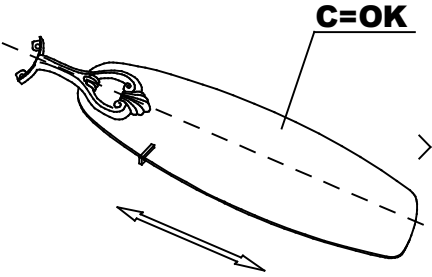
≡ **NO**



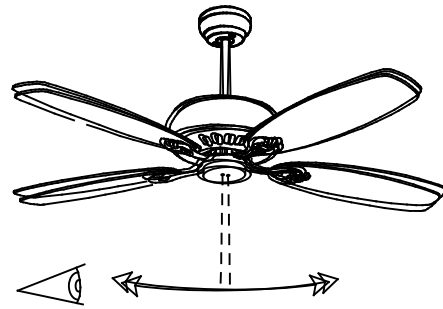
LEDS C4²



5

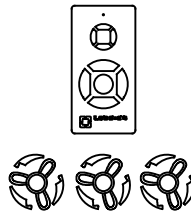
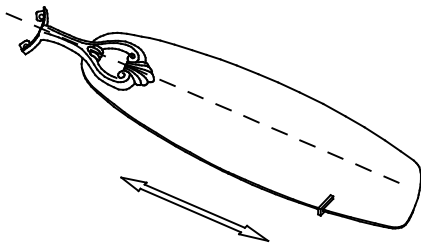


ON

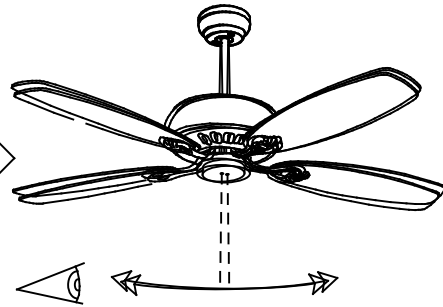


≡ NO

6

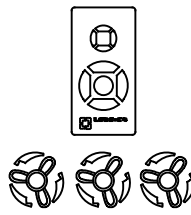
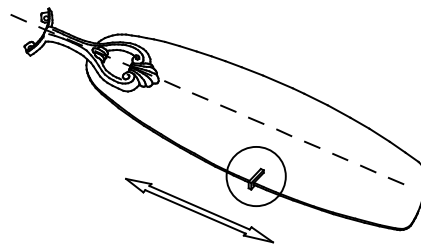


ON

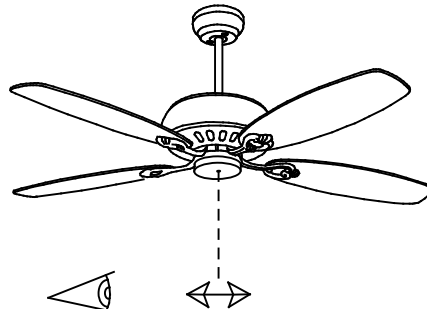


≡ NO

7



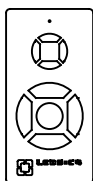
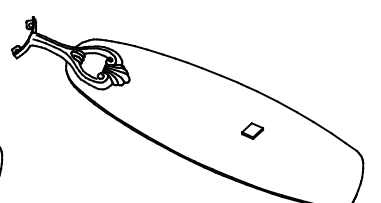
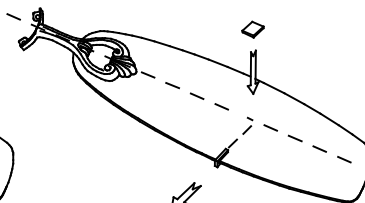
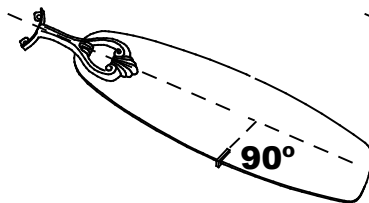
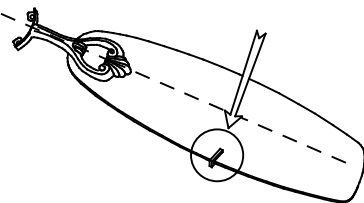
ON



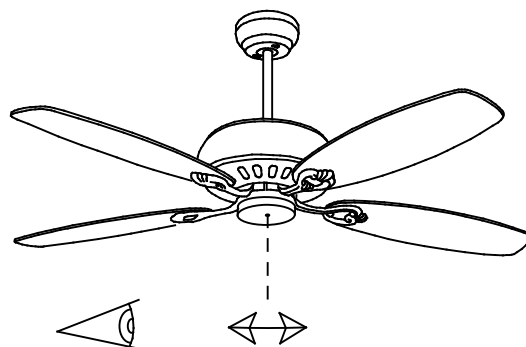
≡ OK

8

OK



ON



≡ OK