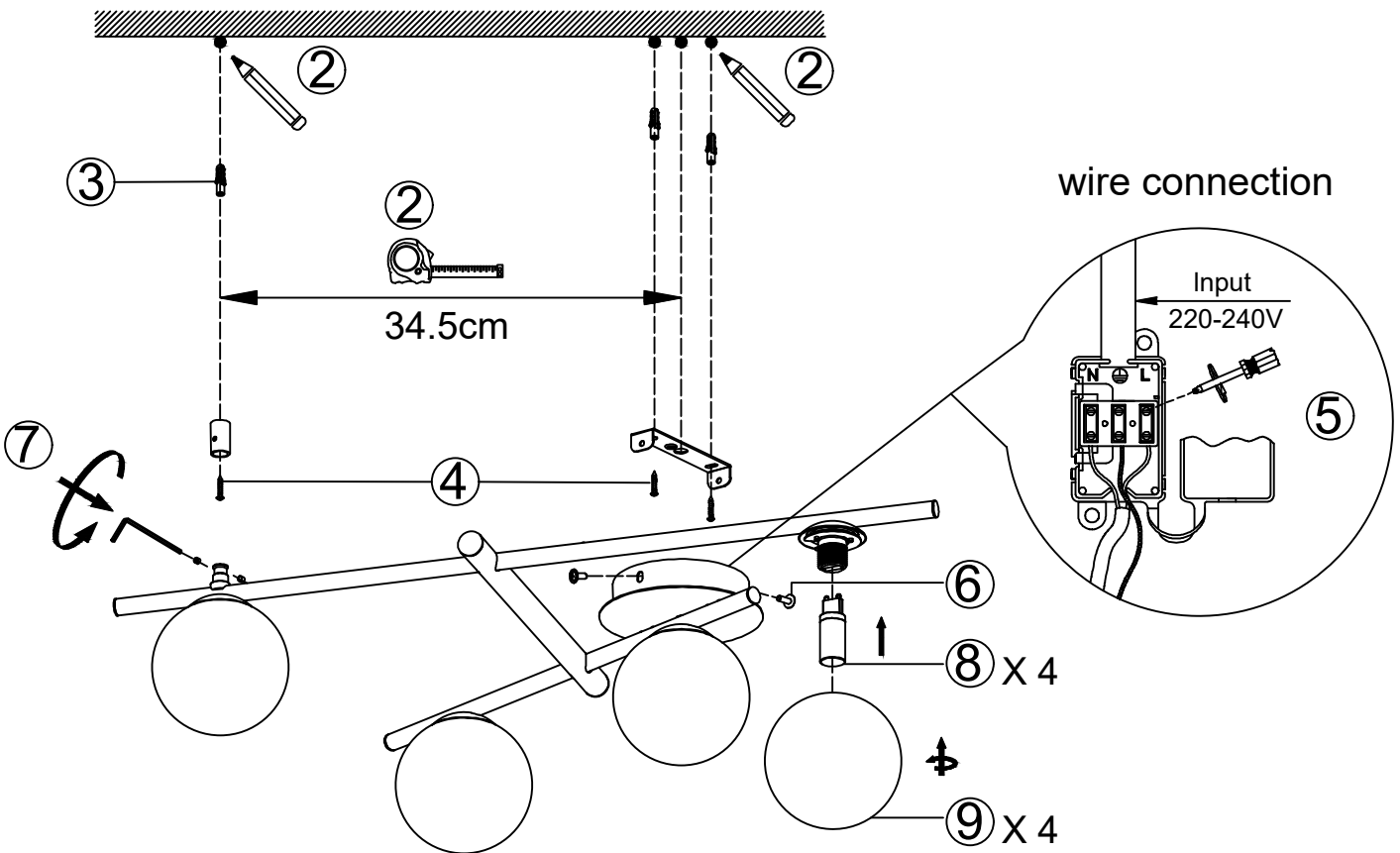
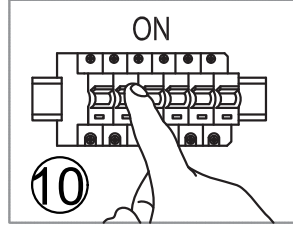
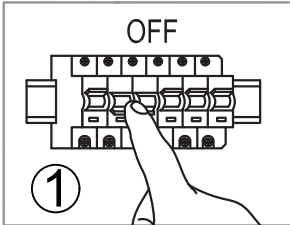
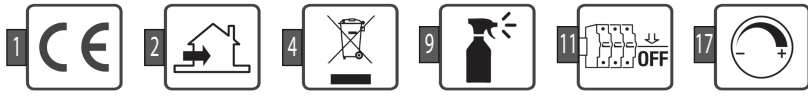


miloox®

MY CODE IS: 1744.360



Design: Arch. Davide Negri
Imported by **MILOOX**
a brand of Sforzin Illuminazione
Viale dell'industria 21
20037 Paderno Dugnano . Milano . Italy
Made in China



TYPE: **G9 LED**
4 x MAX 10W
A max : Ø 20 mm
B max : 60 mm

www.miloox.com