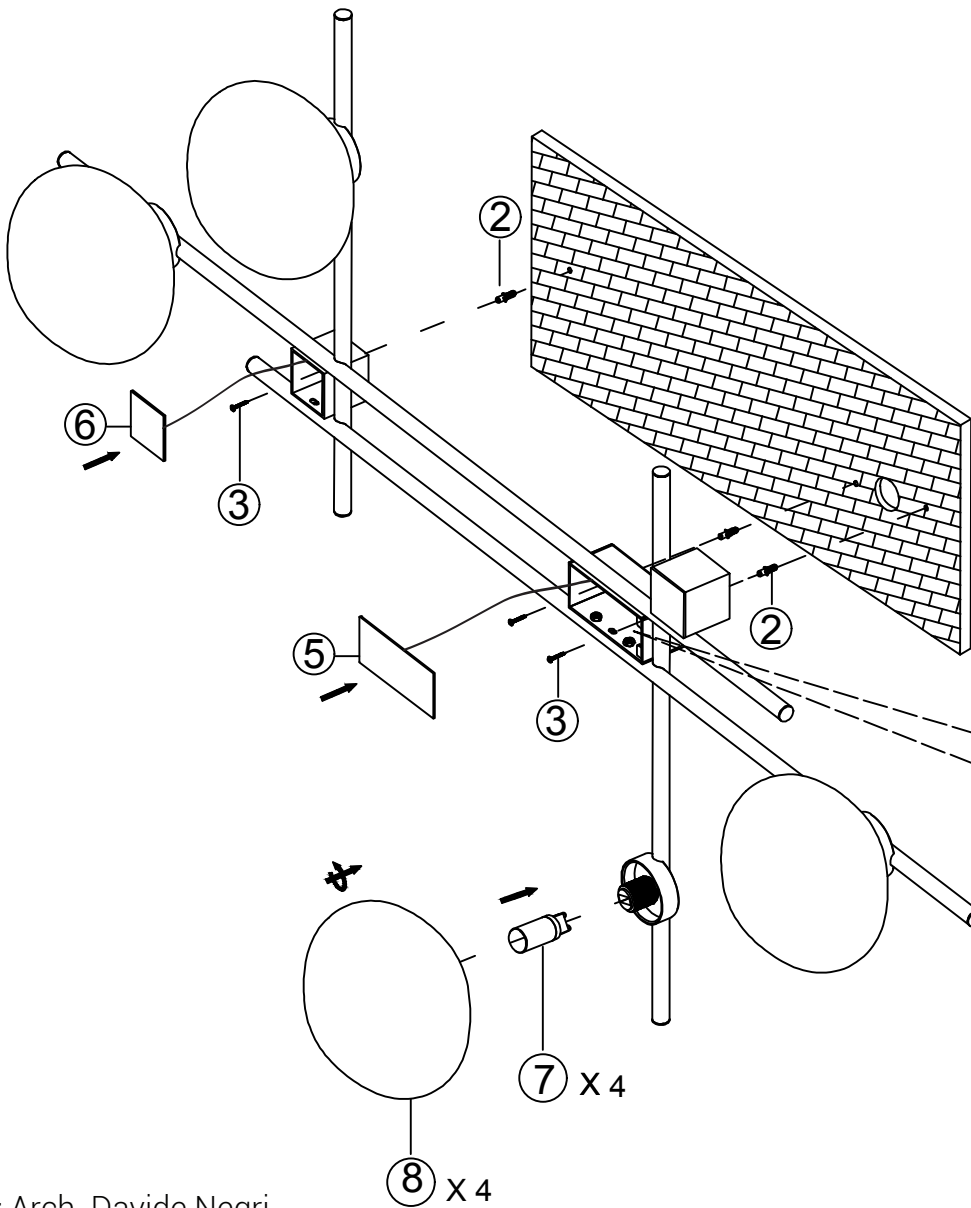
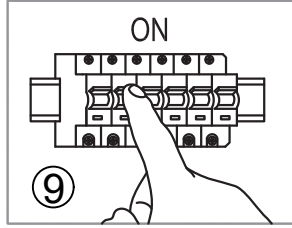
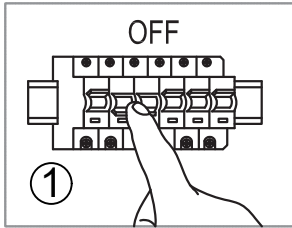
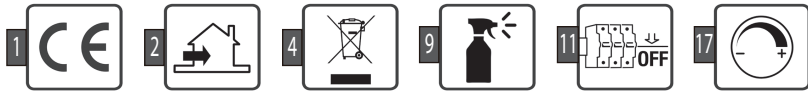


# miloox®

MY CODE IS: **1744.347**



Design: Arch. Davide Negri  
Imported by **MILOOX**  
a brand of Sforzin Illuminazione  
Viale dell'industria 21  
20037 Paderno Dugnano . Milano . Italy  
Made in China



TYPE: **G9 LED**  
4x MAX 10W  
A max : Ø 20 mm  
B max : 60 mm  
[www.miloox.com](http://www.miloox.com)